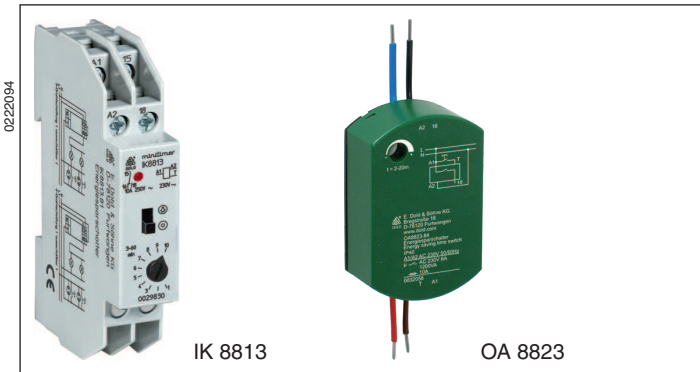
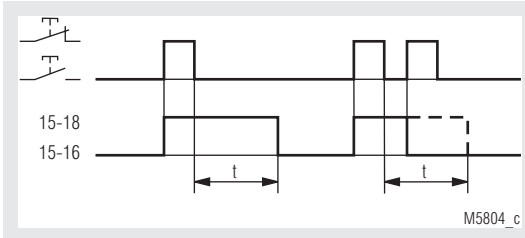


MINITIMER Energy-Saving Time Switch IK 8813 / OA 8823

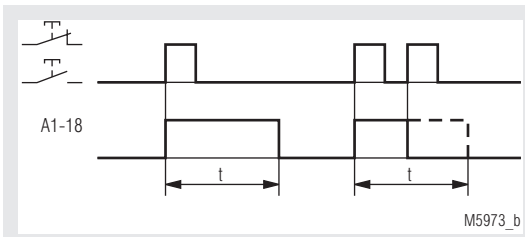


- According to EN 60 669-1, EN 60 669-2-1
- Can be switched off before the time expires
- Operating times between 0.5 ... 60 min., as required
- IK 8813 with permanent light switch and LED indicator for contact position
- IK 8813 for installation in rows, width 17.5 mm
- OA 8823 for installation in flush-mounted boxes

Function Diagram



IK 8813



OA 8823

Approvals and Markings



Applications

Controlled switching-off of lights (such as staircase, courtyard, garden, garage, attic and cellar lights) as well as ventilators, driers and all electronic consumers in general that experience has shown are rarely switched off again immediately after they have been used.

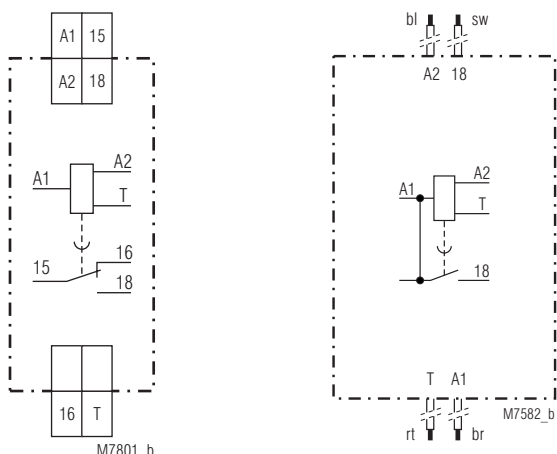
Function

The energy-saving switches IK 8813 and OA 8823 are controlled by an electronic timing element. While IK 8813 is designed to be mounted on a top hat rail, OA 8823 is suitable for installation in flush-mounted boxes. The operating time can be set using a screwdriver. The switch can be activated via a 3- or 4-wire connection by pressing a pushbutton (only a 4-wire connection in the case of OA 8823). The pushbutton and the equipment concerned have to be connected to the same phase in this context.

Indicators

IK 8813
yellow LED: on, when the output relay is activated (contact 15 - 18 is closed)

Circuit Diagrams



IK 8813.81

OA 8823.84

Notes

Switch connection boxes (60 cm deep) are suitable for installing OA 8823 can be purchased, for example, from Messrs Kaiser, D - 5885 Schalksmühle / Germany (order no. 1055-02). OA 8823 is also available on request complete with installation pushbutton and installation frame for switch connection boxes (diameter 60 mm, depth 40 mm).

Connection Terminals

| Terminal designation | Signal designation |
|----------------------|---------------------------|
| A1 | L |
| A2 | N |
| T | Control input for buttons |
| 15, 16, 18 | Contact-output delayed |

Technical Data

Timing circuit

Timing ranges: 0.5 ... 10 min, 1 ... 20 min, 3 ... 60 min
Repeat accuracy: + 2 % of the full scale value

Input

Nominal voltage U_N : AC 230 V
Voltage range: 0.8 ... 1.1 U_N
Nominal consumption:
 apparent power: IK 8813: 5 VA
 OA 8823: 3 VA
 actual power: 0.3 W
Nominal frequency: 50 / 60 Hz
Glow lamps parallel to the pushbutton: 10 mA

Output

Contacts
 IK 8813.81: 1 changeover contact, delayed
 OA 8823.84: 1 NO contact, delayed

Thermal current I_{th}
 IK 8813: 10 A
 OA 8823: 4 A

Switching capacity with lamp load:
 Fluorescent lamp load
 Duo-switching
 (series compensated)
 IK 8813:

20 lamps with 58 W each
 5 x 10⁴ switching cycles
 6 lamps with 58 W each
 5 x 10⁴ switching cycles

OA 8823:
 Glow lamp load
 IK 8813: 1200 W
 OA 8823: 600 W

Short circuit strength max. fuse rating
 IK 8813: 10 A gG / gL IEC/EN 60 947-5-1
 OA 8823: 4 A gG / gL IEC/EN 60 947-5-1

Mechanical life: > 10⁶ switching cycles

General Data

Operating mode: Continuous operation

Temperature range

Operation: - 20 ... + 45 °C
 Storage: - 20 ... + 60 °C

Altitude: < 2,000 m

Clearance and creepage distances

rated impulse voltage /
 pollution degree: 4 kV / 2 IEC 60 664-1

EMC

Electrostatic discharge: 8 kV (air) IEC/EN 61 000-4-2
 HF-irradiation: 10 V / m IEC/EN 61 000-4-3
 Fast transients: 2 kV IEC/EN 61 000-4-4

Surge voltages between

wires for power supply: 2 kV IEC/EN 61 000-4-5
 between wire and ground: 4 kV IEC/EN 61 000-4-5
 Interference suppression: Limit value class B EN 55 011

Degree of protection

IK 8813:
 Housing: IP 40 IEC/EN 60 529
 Terminals: IP 20 IEC/EN 60 529

OA 8823:
 Housing: IP 40 IEC/EN 60 529

Housing: Thermoplastic with V0 behaviour according to UL subject 94

Vibration resistance: Amplitude 0.35 mm, frequency 10 ... 55 Hz IEC/EN 60 068-2-6

Climate resistance: 20 / 045 / 04 IEC/EN 60 068-1

Technical Data

Terminal designation: EN 50 005
Wire connection IK 8813: DIN 46 228-1/-2/-3/-4

Cross section: 2 x 0,6 ... 2,5 mm² solid or 2 x 0,28 ... 1,5 mm² stranded wire with and without ferrules
Stripping length: 10 mm
Wire fixing: Plus-Minus-terminal screws M3,5 with self-lifting clamping piece IEC/EN 60 999-1

Fixing torque:

Mounting: IK 8813: DIN rail IEC/EN 60 715

Weight
 IK 8813: 75 g
 OA 8823: 31 g

Dimensions

Width x height x depth

IK 8813: 17.5 x 89 x 58 mm
 OA 8823: 40 x 58.5 x 18 mm

Standard Type

IK 8813.81 AC 230 V 50 / 60 Hz 3 ... 60 min
 Article number: 0029830
 • Output: 1 changeover contact, delayed
 • Nominal voltage U_N : AC 230 V
 • Time range: 3 ... 60 min
 • Width: 17.5 mm

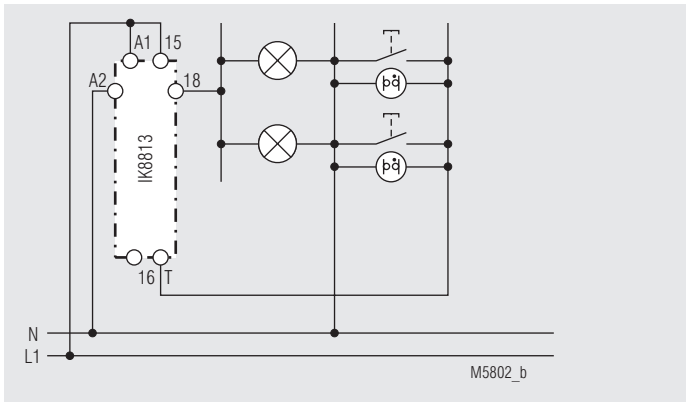
Ordering Example

IK 8813 .81 AC 230 V 50 / 60 Hz 1 ... 20 min

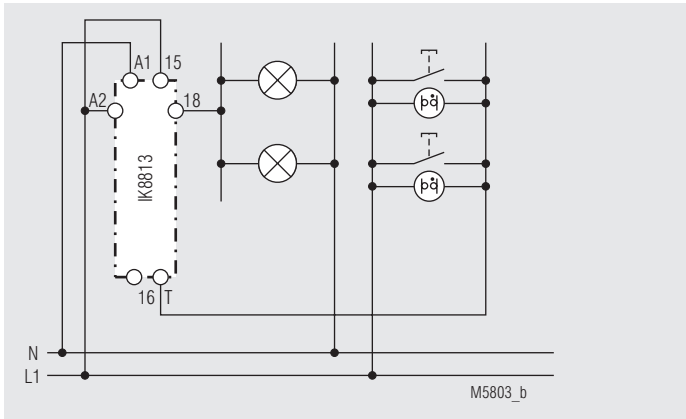
IK 8813 .81 AC 230 V 50 / 60 Hz 1 ... 20 min

IK 8813: Type
 .81: Contacts
 AC 230 V: Nominal voltage
 50 / 60 Hz: Nominal frequency
 1 ... 20 min: Timing range

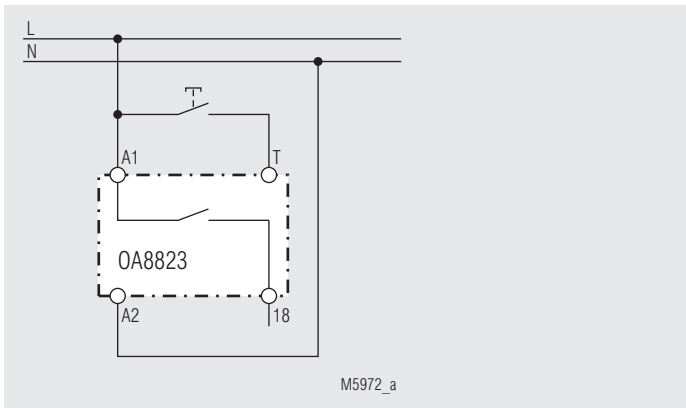
Application Examples



IK 8813
3-wire circuit (can be switched off)



IK 8813
4-wire circuit (can be switched off)



OA 8823

